

DATE:

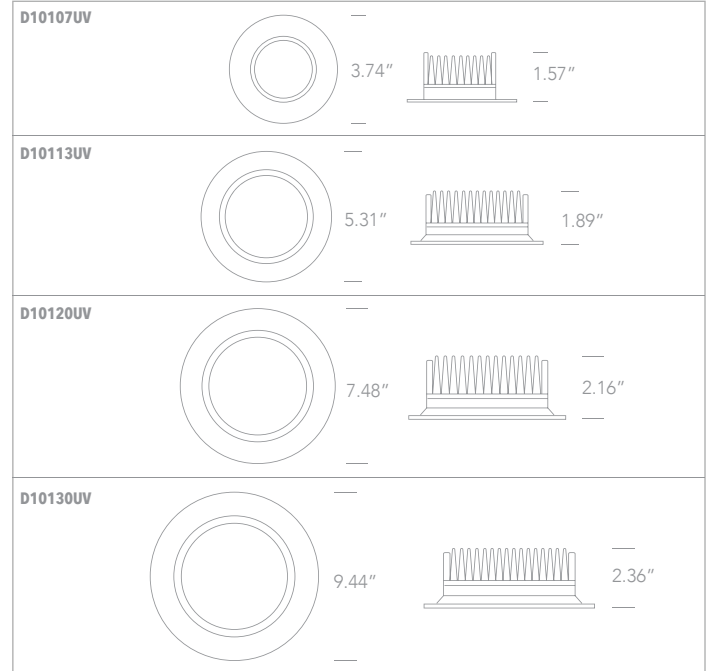
CUSTOMER:

PROJECT:

QUANTITY:

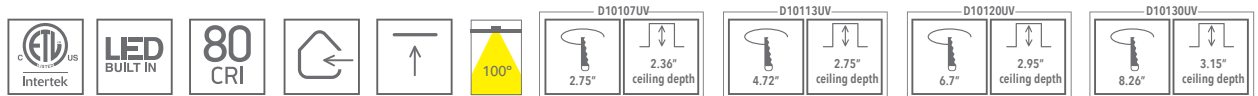
ENNEN *D10107UV, D10113UV, D10120UV, D10130UV*

7W, 13W, 20W, 30W SMD LED UGR19 Fixed Recessed Downlight w/ Adjustable CCT



EXAMPLE:

FAMILY	ITEM#	FINISH	WATTAGE	LUMENS	CCT	BEAM	DRIVER	IP RATING	INPUT VOLTAGE
ENNEN	D10113UVW	W	13W	975lm	27/40/60	100	A	44	120



FAMILY	ITEM#	FINISH	WATTAGE	LUMENS	CCT	BEAM	DRIVER	IP RATING	INPUT VOLTAGE
ENNEN									
	D10107UVW	W WHITE	7W	525lm	27/40/60	2700K - 4000K - 6000K	100 100° A	0-10V 44	IP44 120 / 277
	D10113UVW	W WHITE	13W	975lm	27/40/60	2700K - 4000K - 6000K	100 100° A	0-10V 44	IP44 120 / 277
	D10120UVW	W WHITE	20W	1500lm	27/40/60	2700K - 4000K - 6000K	100 100° A	0-10V 44	IP44 120 / 277
	D10130UVW	W WHITE	30W	2250lm	27/40/60	2700K - 4000K - 6000K	100 100° A	0-10V 44	IP44 120 / 277

NOTES	D10107UV / D10113UV: New Construction Housing Available Driver Enclosure = 8" x 10" x 6" w/10' Standard Connecting Cable Installation Depth = 6.5" Consult for dimming	D10120UV / D10130UV: Remote Driver Enclosure = 6" x 10" x 2" w/10' Standard Connecting Cable 0-10V dimming option, available for 277V	WEB LINKS: D10107UV D10113UV D10120UV D10130UV
	<p>CCT: Selectable by switch at time of installation.</p> <p>DALI & DMX OPTION: Available upon request with consultation.</p>		