

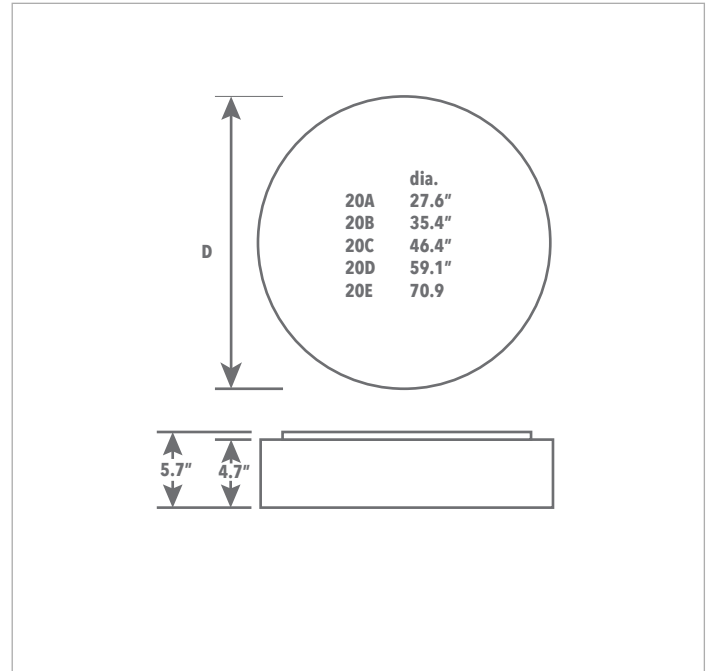
DATE:

CUSTOMER:

PROJECT:

QUANTITY:

PLLAC.20S *Round 67W / 97W / 156W / 265W / 390W LED Full-Acrylic Surface-Mounted Light*



EXAMPLE:

FAMILY	ITEM#	WATTAGE	LUMENS	CCT	FINISH	DRIVER	CRI	INPUT VOLTAGE
PLLAC	PLLAC.20CS	156W	13200lm	30	A	A	80	120



FAMILY	ITEM#	WATTAGE	LUMENS	CCT	FINISH	DRIVER	CRI	INPUT VOLTAGE
PLLAC								
	PLLAC.20AS	67W	5600lm	30 3000K	A Full-Acrylic	N Non-Dim	80 CRI80	120 120V input
	PLLAC.20BS	97W	7900lm	40 4000K		A 0-10V	90 *CRI90	277 277V input
	PLLAC.20CS	156W	13200lm			C Consult		
	PLLAC.20DS	265W	21500lm					
	PLLAC.20ES	390W	32900lm					

NOTES	Prestigious surface-mounted luminaire in round design for homogenous lighting and balanced with round design for homogenous lighting and balanced room ambience, easy maintenance, no UV and thermal emissions, ceiling mounting plate and technique unit made from metal, opal-white acrylic diffuser (removable via lock fasteners), ceiling mounting via screwable plate, 5-pole terminal block, LED converter integrated.	* CRI90 (subject to availability)	WEB LINKS: Product Page