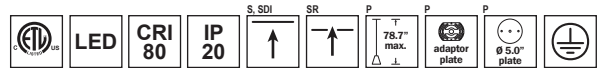
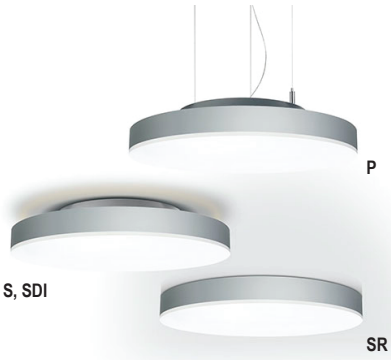


date	
customer	
project	
quantity	

MOMO LED Luminaire

High-class round LED luminaire designed for semi-recessed mounting, with lamp housing in a flat, compact design made of seamlessly welded, powder-coated steel sheet. Available in silver RAL9006 or white RAL9016 fine matte finish. With die-cast aluminium housing attached on the back side for holding the electronics. Light emission through a diffuser made of sanded PMMA for an almost homogeneous emission of light, with a height of 8 mm to allow lateral light emission. Luminaire equipped with the latest generation of LED boards, colour rendering index Ra > 80.



Family	Size / Wattage / Lumens	Mounting	CCT	Finish	Driver	Input voltage
MOMO						
M1	ø16.5 16W >1550lm	S surface	830 3000K	W white	N non dim	120 120V input
M2	ø16.5 28W >2700lm	SR semi-recessed	840 4000K	S silver	A 0-10V	277 277V input
		P pendant	DW *2700K to 6500K	R RAL color	C consult for options	
		SDI surface dir./ind.				



Notes: (*) DW only available in 16W for semi-recessed

example...

Family	Size / Wattage / Lumens	Mounting	CCT	Finish	Driver	Input voltage
MOMO	M1	P	830	S	A	120

