



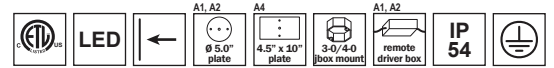
date \_\_\_\_\_  
 customer \_\_\_\_\_  
 project \_\_\_\_\_  
 quantity \_\_\_\_\_

INDOOR / OUTDOOR WALL Luminaire

# JOANN Luminaire



D67274C



| Family | Item / Wattage / Lumens | CCT   | Beam    | Finish   | Driver                 | IP Rating | Input voltage            |
|--------|-------------------------|-------|---------|----------|------------------------|-----------|--------------------------|
| JOANN  | D67274C                 | 30    | G       | A        | N2<br>A2               | 54        | 120<br>277               |
|        | 6x1W >300lm             | 3000K | general | aluminum | ** non dim<br>** 0-10V | IP54      | 120V input<br>277V input |

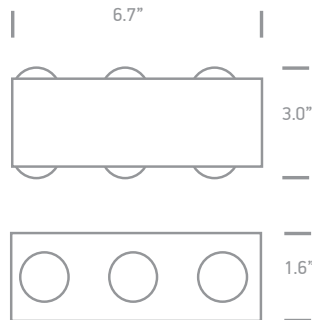


N2, A2

Notes: (\*) driver and fixture with new construction housing - contact sales for datasheet  
 (\*\*) remote driver in enclosed box - contact sales for datasheet

example...

| Family | Item / Wattage / Lumens | CCT | Beam | Finish | Driver | IP Rating | Input voltage |
|--------|-------------------------|-----|------|--------|--------|-----------|---------------|
| JOANN  | D67274C                 | 30  | G    | A      | A2     | 54        | 120           |



D67274C