

DATE:

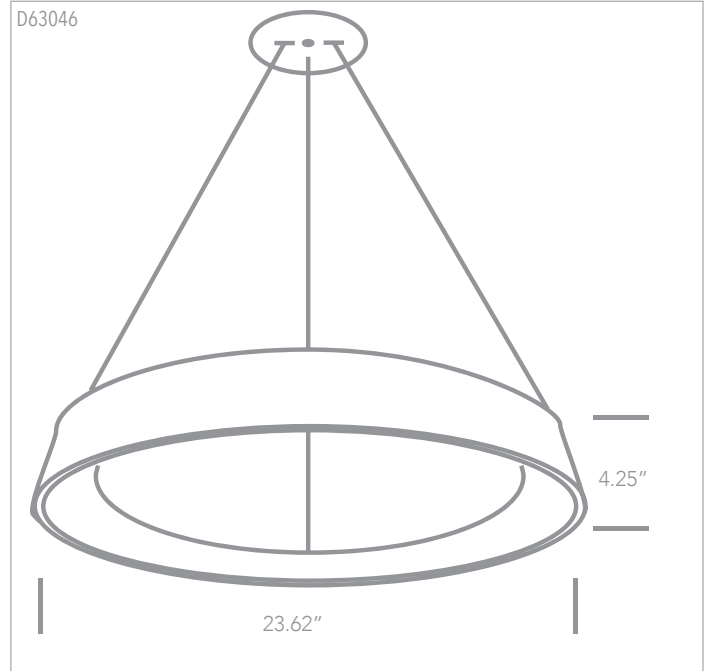
CUSTOMER:

PROJECT:

QUANTITY:

PLAFPEND *D62142NB*

42W LED Ring Plafo Ceiling Pendant **IP20**



EXAMPLE:

FAMILY	ITEM#	WATTAGE	LUMENS	CCT	BEAM	FINISH	DRIVER	IP RATING	INPUT VOLTAGE
PLAFPEND	D62142NBW	42W	2520lm	30	G	W	A	20	120



FAMILY	ITEM#	WATTAGE	LUMENS	CCT	BEAM	FINISH	DRIVER	IP RATING	INPUT VOLTAGE
PLAFPEND	D62142NBW	42W	2520lm	30 3000K	G GENERAL	W WHITE	A 0-10V	20 IP20	120/277 120V - 277V
	D62142NBAN	42W	2520lm	30 3000K	G GENERAL	A ANTHRACITE	A 0-10V	20 IP20	120/277 120V - 277V

NOTES	D62142NB: Each fixture includes a 5" round mounting plate for attaching to a standard 3" octagonal junction box. Color will match fixture.	3000K CCT = Warm White	WEB LINKS: D62142NB
	0-10V dimming option, available for 277V		